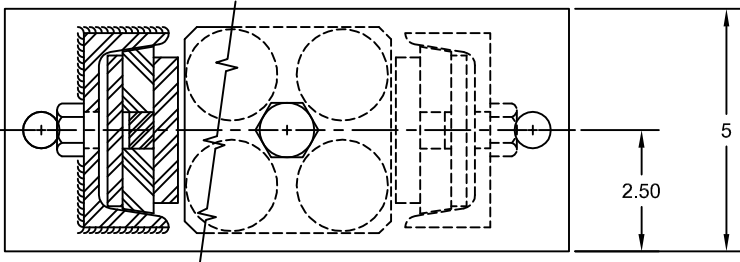
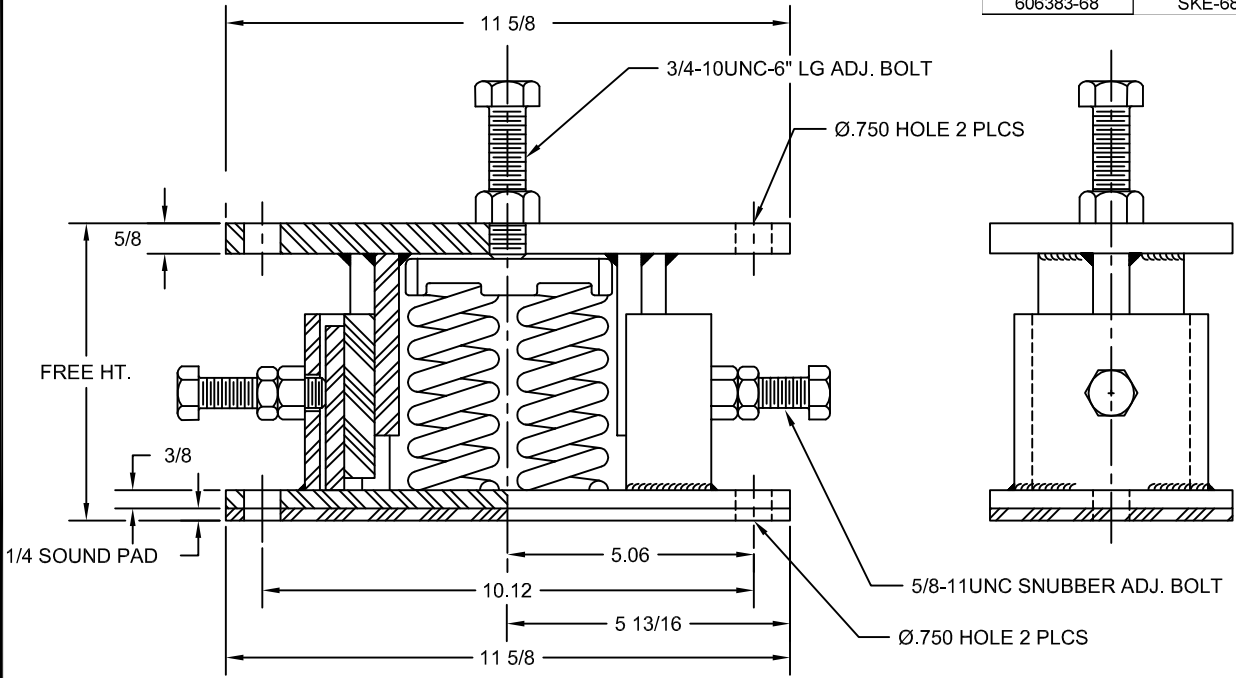


REV.	DESCRIPTION	DATE	BY



PART NUMBER	ISOLATOR MODEL	MAX. STEADY (LBS)	MAX. IMPACT (LBS)	ISOLATOR CONSTANT (LBS)	MIN. FREE HEIGHT	COLOR CODE
606383-50	SKE-50	200	1 Δ	100	6 1/4	YELLOW
606383-51	SKE-51	500	1 Δ	250		ORANGE
606383-52	SKE-52	800	1 Δ	480		BROWN
606383-53	SKE-53	1200	1 Δ	760		BLACK
606383-54	SKE-54	2000	1 Δ	1380		GREEN
606383-55	SKE-55	2,800	1 Δ	2240		BLUE
606383-56	SKE-56	4800	1 Δ	6600	5 1/4	PURPLE
606383-45	SKE-45	1300	1040	1760		BROWN
606383-46	SKE-46	1800	1440	3200		RED
606383-47	SKE-47	2400	1920	4900		PURPLE
606383-57	SKE-57	4400	3300	8520	BLUE	
606383-68	SKE-68	5200	4900	10600	GREEN	



NOTES:

- 1. Δ CURRENTLY UNDER ENGINEERING REVIEW.
- 2. MINIMUM OPERATING HEIGHT IS 5 1/4", OR FREE HEIGHT MINUS SPRING DEFLECTION, WHICHEVER IS GREATER.
- 2. ALL DIMENSIONS IN INCHES. INTERPRET PER ANSI Y14.
- 3. STANDARD ISOLATOR FINISH IS ONE COAT VMC STANDARD COLOR. SPRINGS: EPOXY POWDER COATED HARDWARE: ELECTRO-ZINC PLATED.
- 4. EST. UNIT WT: 45 LBS.

OTHER MATERIALS, COMPOUNDS, OR FINISHES WITH EQUAL OR SUPERIOR PROPERTIES MAY BE SUBSTITUTED AS THEY BECOME AVAILABLE.

CERTIFIED FOR:

JOB NAME: _____

CUSTOMER: _____

CUSTOMER P.O.: _____

SALES ORDER: _____

MODEL SKE 200-5200 LBS. SPRING ISOLATOR WITH ADJUSTABLE SNUBBER



THE VMC GROUP
The Power of Together
 Bloomingdale, NJ 07403
 Houston, TX 77041

SCALE: NONE

SHEET: 1 OF

DRAWING NO.: _____

REVISION: _____

Member VISCOMA